

Specifications

| | | |
|-------------------------------|--------------|----------------------|
| Nominal Voltage | | 12V |
| Rated Capacity (10 hour rate) | | 65Ah |
| Dimensions | Total Height | 179±2mm(7.05 inches) |
| | Height | 179±2mm(7.05 inches) |
| | Length | 350±2mm(13.8 inches) |
| | Width | 167±2mm(6.57 inches) |
| Weight Approx | | 19.5kg(42.99 lbs)±4% |

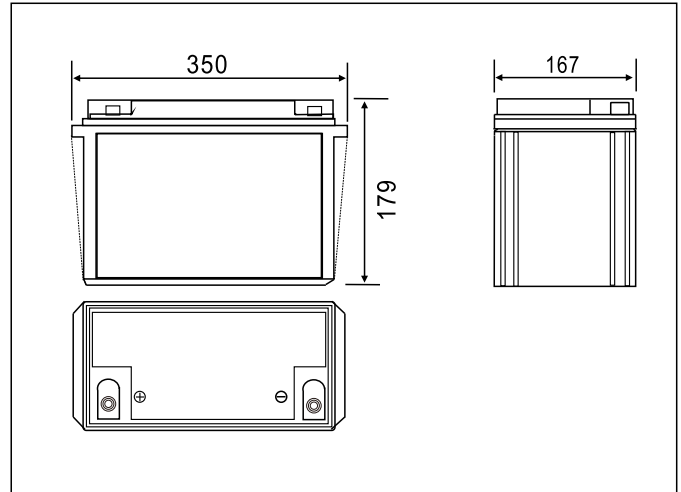
Characteristics

| | | |
|--|---|--|
| Capacity 25°C(77°F) | 10 hour rate(6.5A) 5 hour rate(11.4A) 1hour rate(40A) | 65 AH 57 AH 40AH |
| Internal Resistance | Full charged Battery at 25°C(77°F) | 6.5m Ω |
| Capacity affected by Temperature (10hour rate) | 40°C(104°F) | 102% |
| | 25°C(77°F) | 100% |
| | 0°C(32°F) | 85% |
| | -15°C(5°F) | 65% |
| Self-Discharge at 25°C(77°F) | Capacity after 3 month storage | 91% |
| | Capacity after 6 month storage | 82% |
| | Capacity after 12 month storage | 64% |
| Charge (constant voltage) | Cycle | Initial Charging Current Less than 16.25 A Voltage 14.50-14.90V |
| | Float | Voltage 13.50-13.80V |

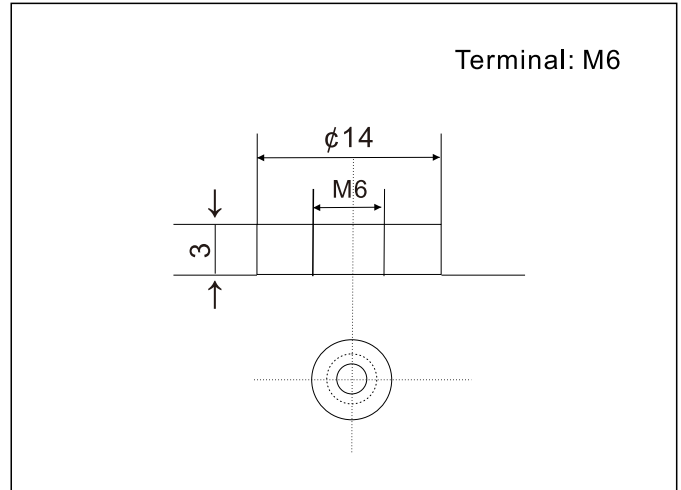
Applications

- Electric tools
- Electric toys
- Emergency lighting
- Electronic instruments
- Medical equipment
- Alarm and security systems
- Solar power systems
- Wind power systems
- Telecommunication equipments
- Uninterruptible power supplies

Outer Dimensions (mm)



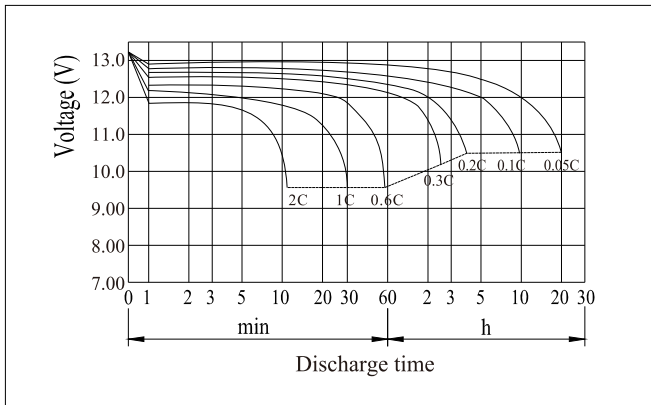
Terminal Type (mm)



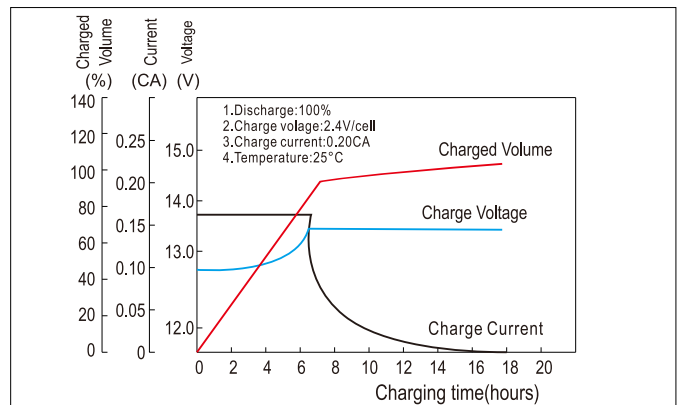
Constant Current(AMP) and Constant Power(Watt) Discharge Table at 25°C(77°F)

| Time | | 10min | 15min | 30min | 1h | 2h | 3h | 4h | 5h | 8h | 10h | 20h |
|--------|---|-------|-------|-------|------|------|------|------|------|------|------|------|
| 9.60V | A | 137 | 107 | 65.0 | 40.3 | 23.8 | 16.6 | 13.6 | 11.6 | 7.96 | 6.62 | 3.47 |
| | w | 1474 | 1178 | 729 | 459 | 275 | 195 | 160 | 137. | 94.5 | 79.0 | 41.7 |
| 9.90V | A | 132 | 105 | 637 | 39.7 | 23.6 | 16.5 | 13.5 | 11.5 | 7.91 | 6.60 | 3.47 |
| | w | 1430 | 1149 | 715 | 453 | 273 | 194 | 159 | 136 | 94.0 | 78.9 | 41.6 |
| 10.20V | A | 127 | 101 | 61.8 | 38.7 | 23.4 | 16.4 | 13.4 | 11.5 | 7.85 | 6.58 | 3.46 |
| | w | 1371 | 1107 | 693 | 441 | 271 | 192 | 158 | 135 | 93.3 | 78.6 | 41.5 |
| 10.50V | A | 121 | 97.4 | 60.3 | 37.9 | 23.0 | 16.3 | 13.3 | 11.4 | 7.80 | 6.55 | 3.44 |
| | w | 1312 | 1069 | 676 | 432 | 267 | 191 | 157 | 134 | 92.7 | 78.2 | 41.2 |
| 10.80V | A | 115 | 92.2 | 58.0 | 36.8 | 22.5 | 15.8 | 12.9 | 11.0 | 7.57 | 6.50 | 3.41 |
| | w | 1238 | 1013 | 651 | 419 | 260 | 185 | 152 | 130 | 89.9 | 77.6 | 41.0 |

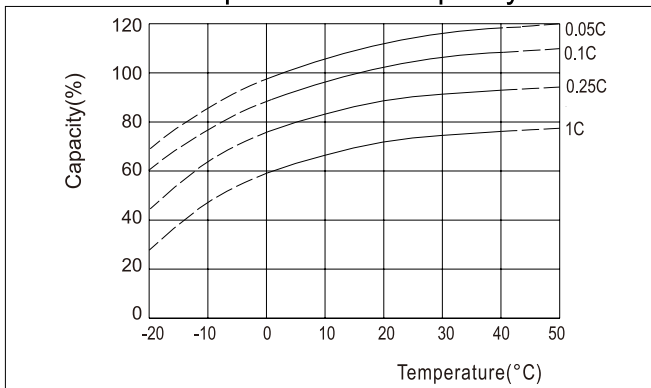
● Discharge Characteristics(25°C)



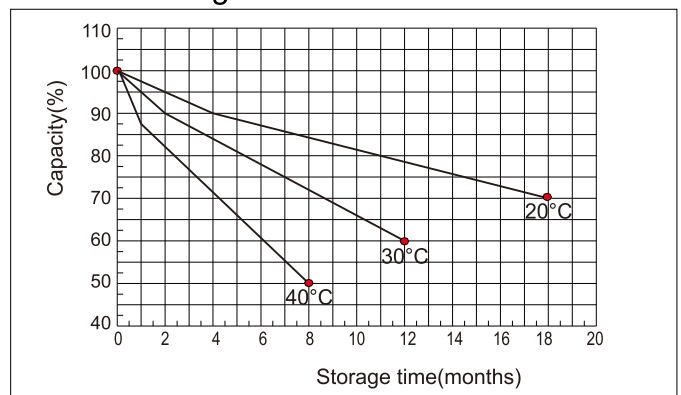
● Charging Characteristics(25°C)



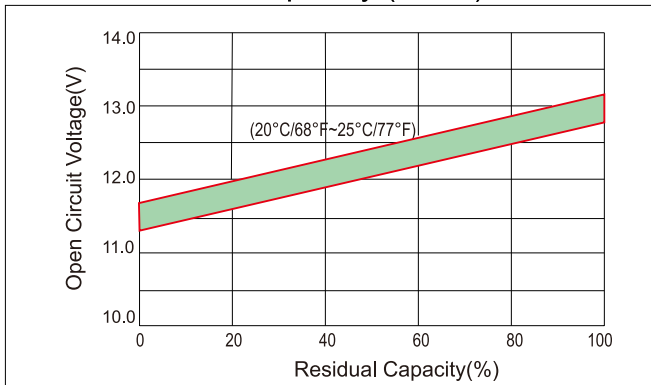
● Effect of Temperature on Capacity



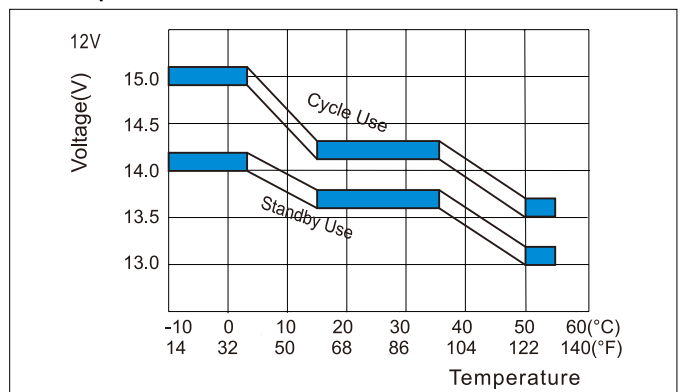
● Self-discharge Characteristics



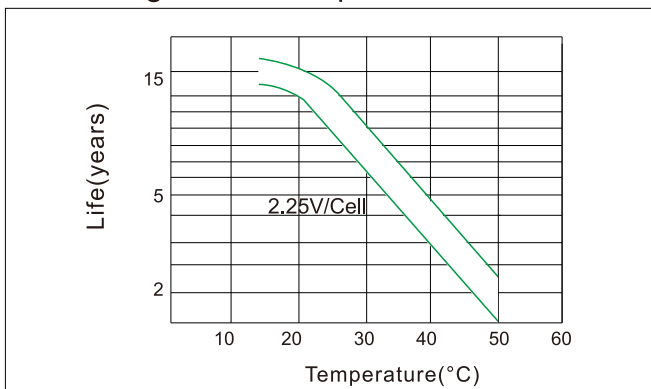
● The Relationship for Open Circuit Voltage and Residual Capacity (25°C)



● The Relationship for Charging Voltage and Temperature



● Floating Life on Temperature



● Cycle Life on D.O.D (25°C)

