



### Specifications

Nominal Voltage		12V
Rated Capacity (20 hour rate)		28Ah
Dimensions	Total Height	125±2mm(4.92 inches)
	Height	125±2mm(4.92 inches)
	Length	166±2mm(6.54 inches)
	Width	175±2mm(6.89 inches)
Weight Approx		8.5kg(18.75 lbs± 4%)

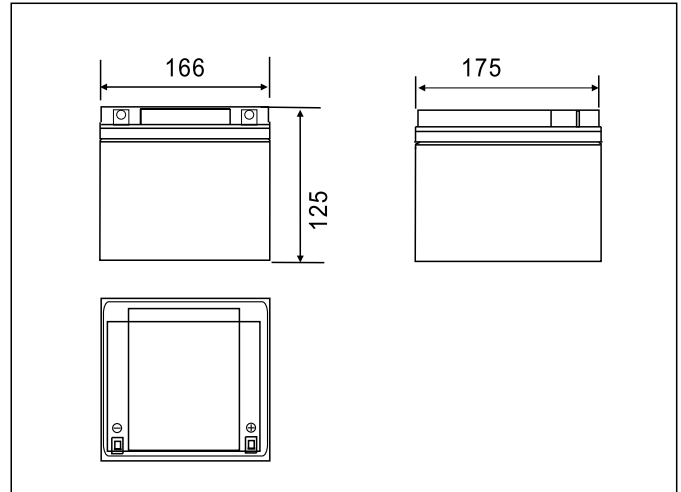
### Characteristics

Capacity 25°C(77°F)	20 hour rate(1.40A)	28.0 AH
	10 hour rate(2.64A)	26.4 AH
	5 hour rate(4.86A)	24.3AH
	1hour rate(17.6A)	17.6AH
Internal Resistance	Full charged Battery at 25°C(77°F)	10m Ω
Capacity affected by Temperature (10hour rate)	40°C(104°F)	102%
	25°C(77°F)	100%
	0°C(32°F)	85%
	-15°C(5°F)	65%
Self-Discharge at 25°C(77°F)	Capacity after 3 month storage	91%
	Capacity after 6 month storage	82%
	Capacity after 12 month storage	64%
Charge (constant voltage)	Cycle	Initial Charging Current Less than 8.4 A Voltage 14.50-14.90V
	Float	Voltage 13.50-13.80V

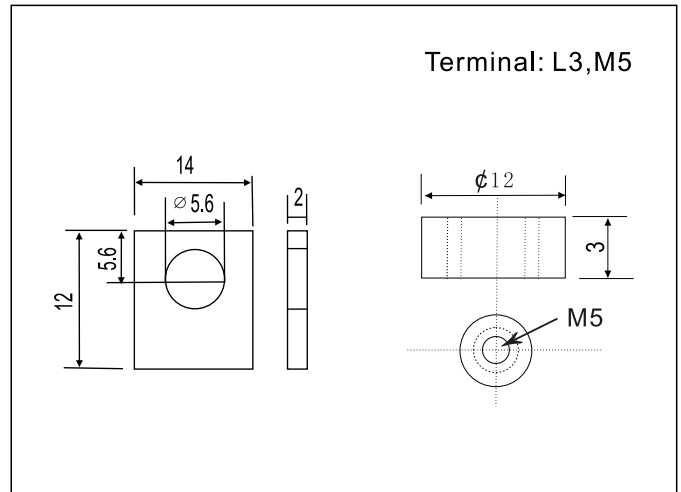
### Applications

- Electric tools
- Electric toys
- Emergency lighting
- Electronic instruments
- Medical equipment
- Alarm and security systems
- Solar power systems
- Wind power systems
- Telecommunication equipments
- Uninterruptible power supplies

### Outer Dimensions (mm)



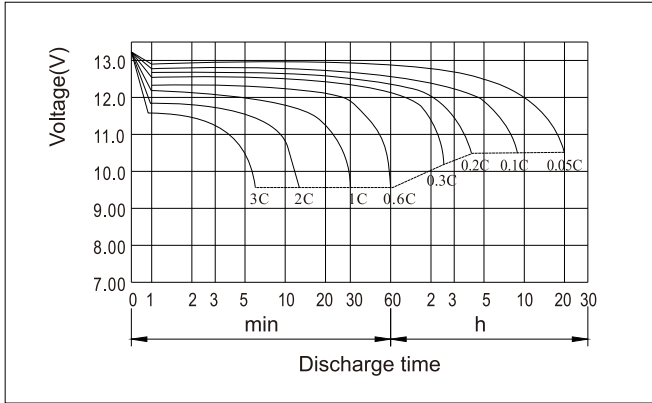
### Terminal Type (mm)



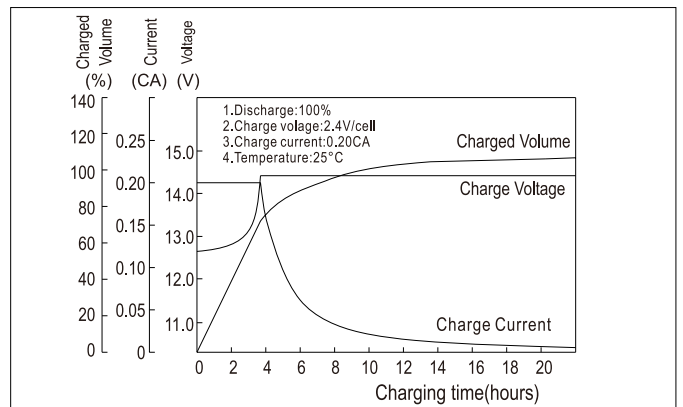
### Constant Current(AMP) and Constant Power(Watt) Characteristics at 25°C(77°F)

F.V/TIME	10min	15min	30min	1h	2h	3h	4h	5h	8h	10h	20h	
9.60V	A	66.1	51.8	28.9	17.7	9.95	7.14	5.71	4.86	3.14	2.64	1.42
	w	746	591	331	205	116	84.8	68.0	58.0	37.7	31.7	17.1
9.90V	A	64.1	50.6	28.3	17.5	9.89	7.10	5.68	4.83	3.12	2.63	1.42
	w	723	576	325	202	116	84.3	67.6	57.6	37.5	31.6	17.0
10.2V	A	61.5	48.7	27.5	17.0	9.80	7.05	5.64	4.79	3.10	2.62	1.41
	w	693	555	315	197	115	83.7	67.2	57.2	37.2	31.4	16.9
10.5V	A	58.8	47.0	26.8	16.7	9.65	7.00	5.60	4.76	3.08	2.60	1.40
	w	664	536	307	193	113	83.2	66.7	56.8	37.0	31.2	16.8
10.8V	A	55.5	44.6	25.8	16.2	9.41	6.79	5.43	4.62	2.99	2.55	1.37
	w	626	508	296	187	110	80.7	64.7	55.1	35.9	30.6	16.5

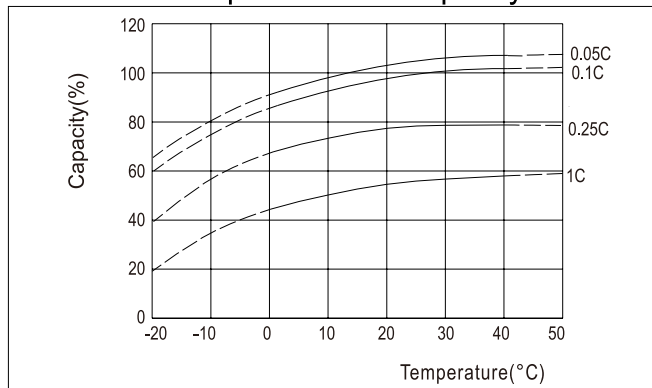
● Discharge Characteristics(25°C)



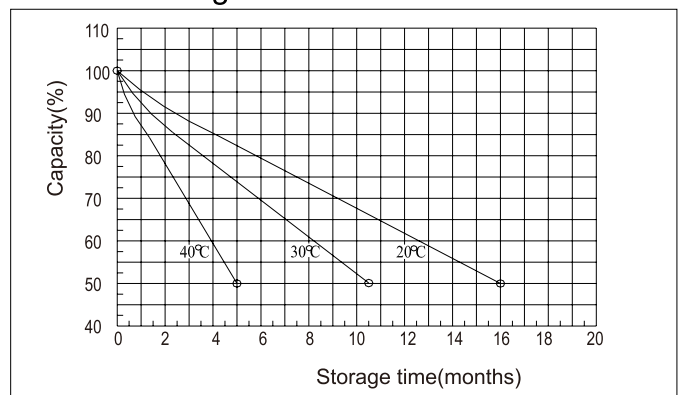
● Charging Characteristics(25°C)



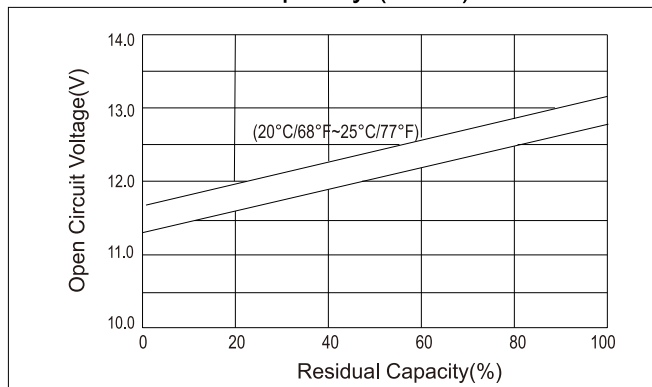
● Effect of Temperature on Capacity



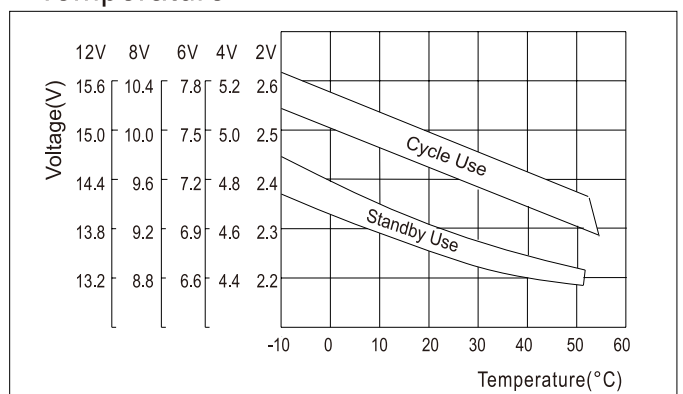
● Self-discharge Characteristics



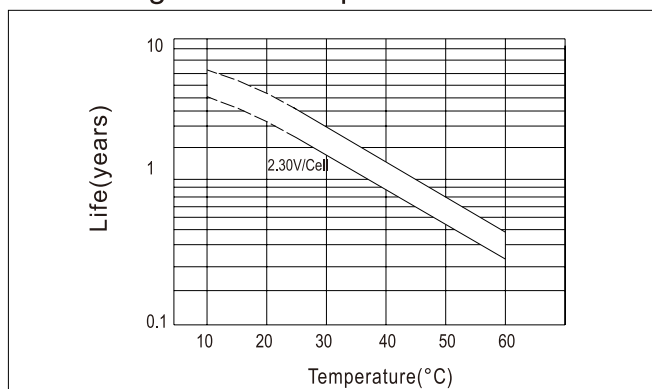
● The Relationship for Open Circuit Voltage and Residual Capacity (25°C)



● The Relationship for Charging Voltage and Temperature



● Floating Life on Temperature



● Cycle Life on D.O.D (25°C)

