



Specifications

Nominal Voltage		12V
Rated Capacity (10 hour rate)		40Ah
Dimensions	Total Height	170±2mm(6.69 inches)
	Height	170±2mm(6.69 inches)
	Length	197±2mm(7.74 inches)
	Width	165±2mm(6.50 inches)
Weight Approx		12kg(26.44 lbs)±4%

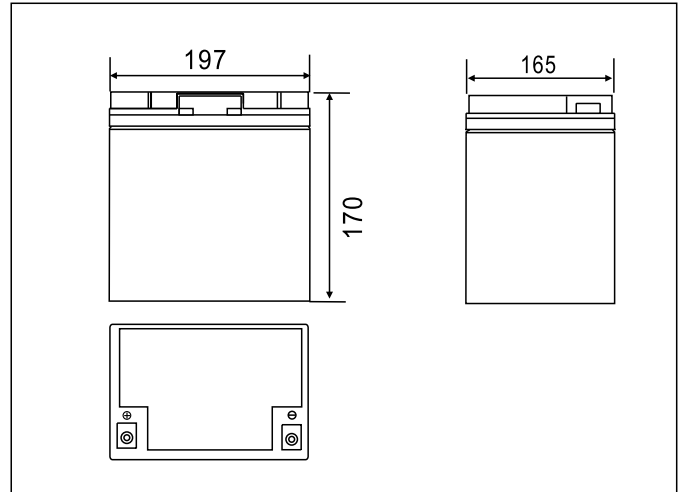
Characteristics

Capacity 25°C(77°F)	10 hour rate(4.0A) 5 hour rate(7.1A) 1hour rate(24.8A)	40.0 AH 35.5AH 24.8AH
Internal Resistance	Full charged Battery at 25°C(77°F)	8.5m Ω
Capacity affected by Temperature (10hour rate)	40°C(104°F)	102%
	25°C(77°F)	100%
	0°C(32°F)	85%
	-15°C(5°F)	65%
Self-Discharge at 25°C(77°F)	Capacity after 3 month storage	91%
	Capacity after 6 month storage	82%
	Capacity after 12 month storage	64%
Charge (constant voltage)	Cycle	Initial Charging Current Less than 10 A Voltage 14.50-14.90V
	Float	Voltage 13.50-13.80V

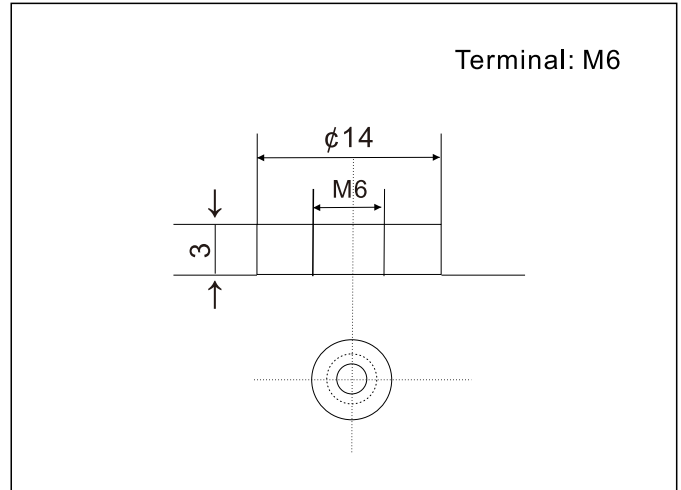
Applications

- Electric tools
- Electric toys
- Emergency lighting
- Electronic instruments
- Medical equipment
- Alarm and security systems
- Solar power systems
- Wind power systems
- Telecommunication equipments
- Uninterruptible power supplies

Outer Dimensions (mm)



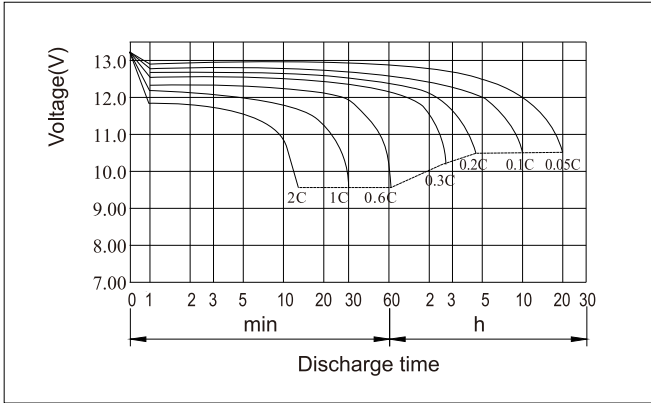
Terminal Type (mm)



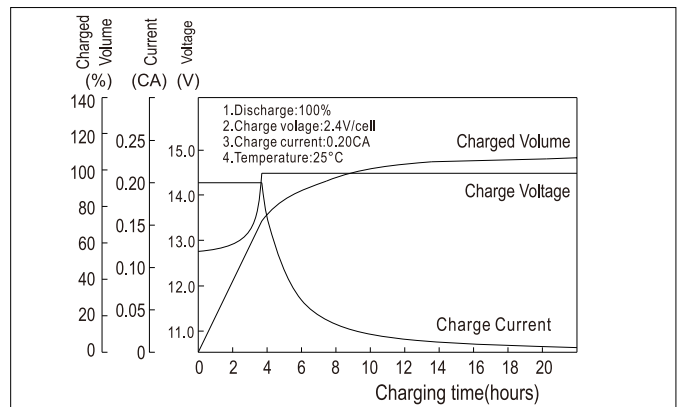
Constant Current(AMP) and Constant Power(Watt) Characteristics at 25°C(77°F)

F.V/TIME	10min	15min	30min	1h	2h	3h	4h	5h	8h	10h	20h
9.60V	A	85.7	66.7	40.4	25.0	14.6	10.2	8.37	7.15	4.90	2.14
	w	925	732	453	286	169	120	97.4	84.4	58.2	25.7
9.90V	A	83.1	65.1	39.6	24.7	14.5	10.1	8.31	7.11	4.87	2.13
	w	898	714	444	281	168	119	97.8	83.9	57.8	25.6
10.2V	A	79.7	62.7	38.4	24.0	14.4	10.1	8.26	7.06	4.83	2.13
	w	861	688	431	274	167	118	97.1	83.4	57.4	25.5
10.5V	A	76.3	60.5	37.5	23.6	14.2	10.0	8.20	7.01	4.80	2.11
	w	824	665	420	269	164	118	96.4	82.7	57.0	25.4
10.8V	A	72.0	57.3	36.1	22.8	13.8	9.70	7.95	6.79	4.66	2.10
	w	777	629	405	260	160	114	93.5	80.4	47.8	25.2

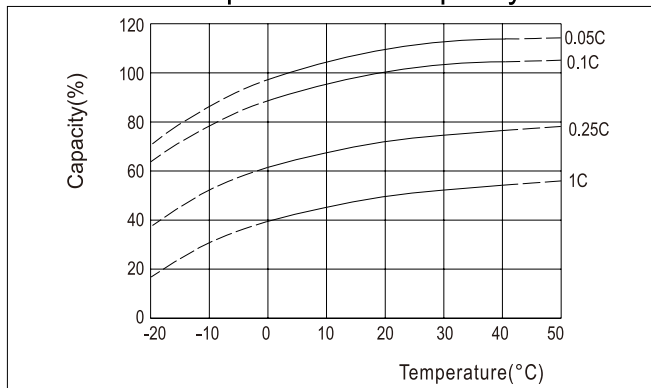
● Discharge Characteristics(25°C)



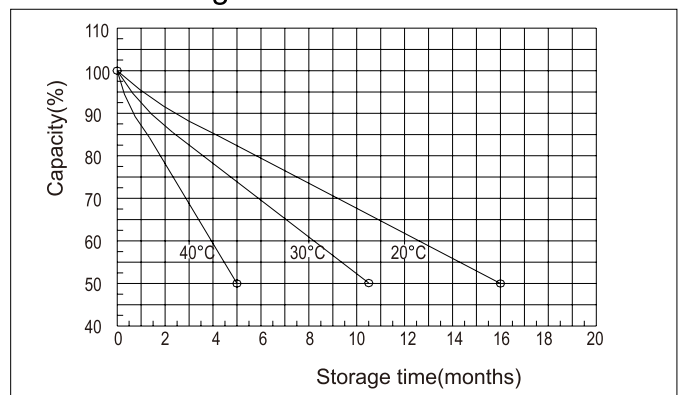
● Charging Characteristics(25°C)



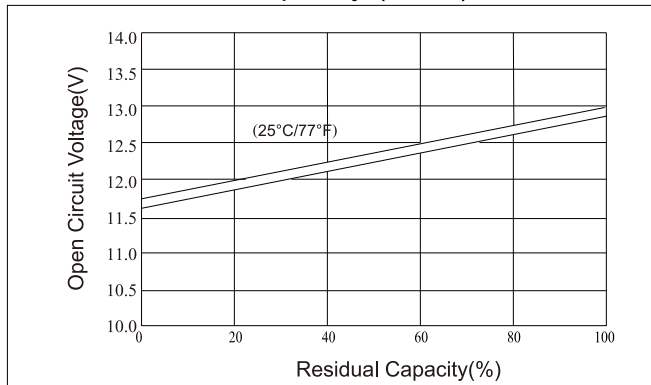
● Effect of Temperature on Capacity



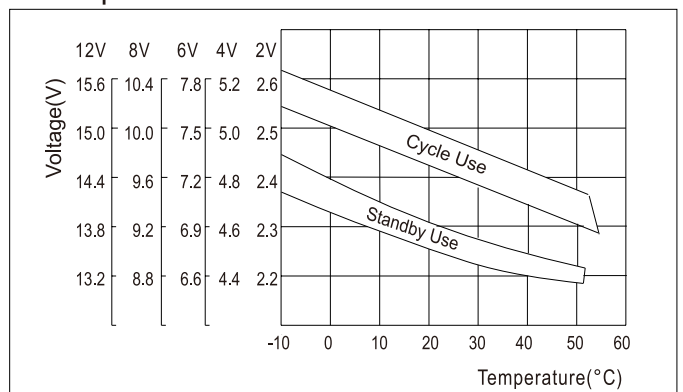
● Self-discharge Characteristics



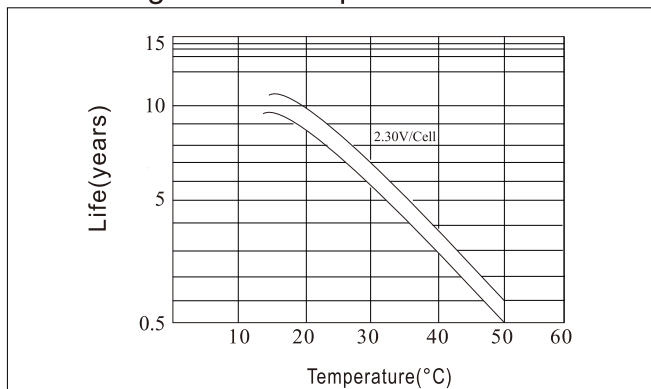
● The Relationship for Open Circuit Voltage and Residual Capacity (25°C)



● The Relationship for Charging Voltage and Temperature



● Floating Life on Temperature



● Cycle Life on D.O.D (25°C)

