

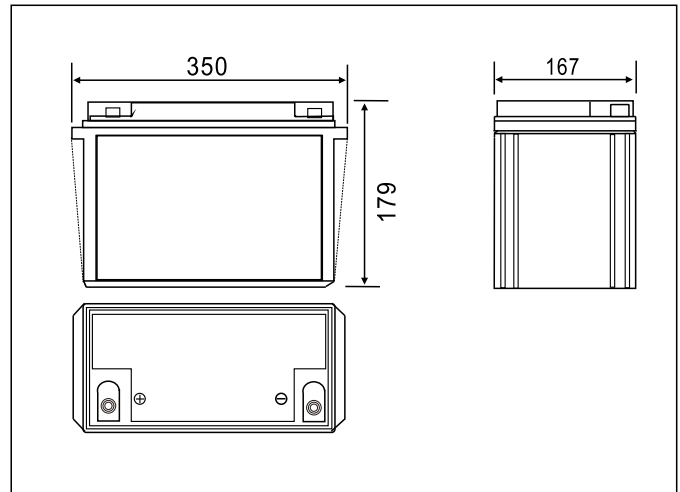
### ● Applications

- Electric tools
- Electric toys
- Emergency lighting
- Electronic instruments
- Medical equipment
- Alarm and security systems
- Solar power systems
- Wind power systems
- Telecommunication equipments
- Uninterruptible power supplies

### ● Specifications

Nominal Voltage		12V
Rated Capacity (10 hour rate)		65Ah
Dimensions	Total Height	179±2mm(7.05 inches)
	Height	179±2mm(7.05 inches)
	Length	350±2mm(13.8 inches)
	Width	167±2mm(6.57 inches)
Weight Approx		20.3kg(44.75 lbs)±4%

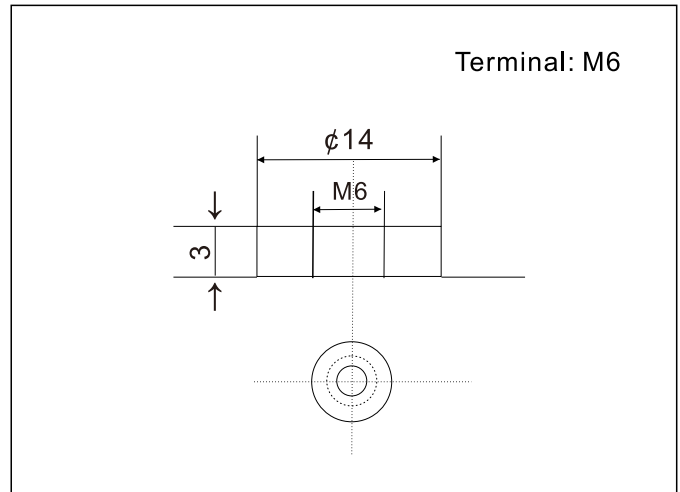
### ● Outer Dimensions (mm)



### ● Characteristics

Capacity 25°C(77°F)	10 hour rate(6.5A) 5 hour rate(11.4A) 1hour rate(40A)	65 AH 57 AH 40AH
Internal Resistance	Full charged Battery at 25°C(77°F)	6.5mΩ
Capacity affected by Temperature (10hour rate)	40°C(104°F)	102%
	25°C(77°F)	100%
	0°C(32°F)	85%
	-15°C(5°F)	65%
Self-Discharge at 25°C(77°F)	Capacity after 3 month storage	91%
	Capacity after 6 month storage	82%
	Capacity after 12 month storage	64%
Charge (constant voltage)	Cycle	Initial Charging Current Less than 16.25 A Voltage 14.50-14.90V
	Float	Voltage 13.50-13.80V

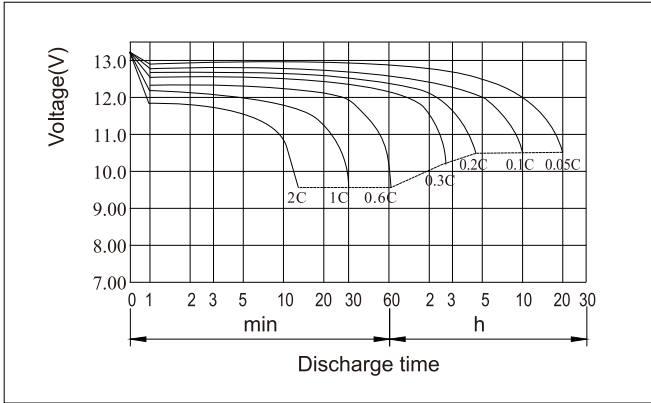
### ● Terminal Type (mm)



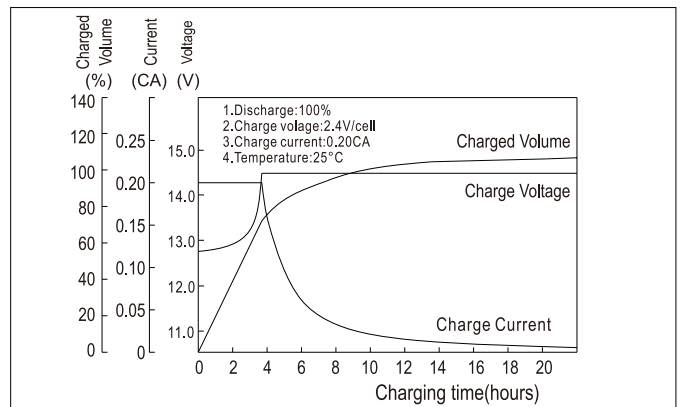
### Constant Current(AMP) and Constant Power(Watt) Discharge Table at 25°C(77°F)

Time		10min	15min	30min	1h	2h	3h	4h	5h	8h	10h	20h
9.60V	A	139	108	65.7	40.7	23.8	16.6	13.6	11.7	7.96	6.62	3.47
	w	1504	1189	737	464	276	195	160	137.	94.5	79.0	41.7
9.90V	A	135	106	64.3	40.1	23.6	16.5	13.5	11.6	7.91	6.60	3.47
	w	1459	1161	722	458	274	194	159	136	94.0	78.9	41.6
10.20V	A	129	102	62.4	39.1	23.4	16.4	13.4	11.5	7.85	6.58	3.46
	w	1398	1118	700	446	272	192	158	135	93.3	78.6	41.5
10.50V	A	124	98.4	60.9	38.3	23.1	16.3	13.3	11.4	7.80	6.55	3.44
	w	1338	1080	683	437	268	191	157	134	92.7	78.2	41.2
10.80V	A	117	93.2	58.6	37.1	22.6	15.8	12.9	11.0	7.57	6.50	3.41
	w	1263	1024	659	424	261	185	152	130	89.9	77.6	41.0

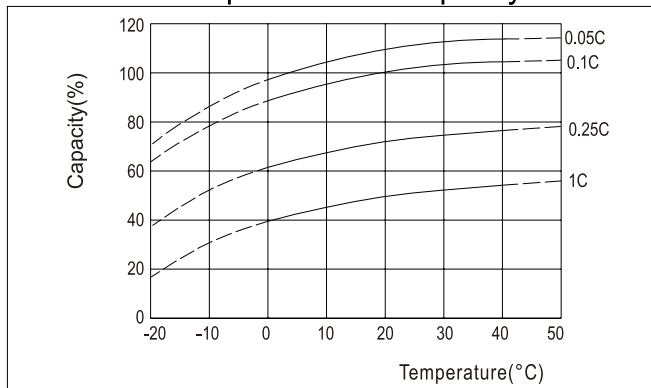
● Discharge Characteristics(25°C)



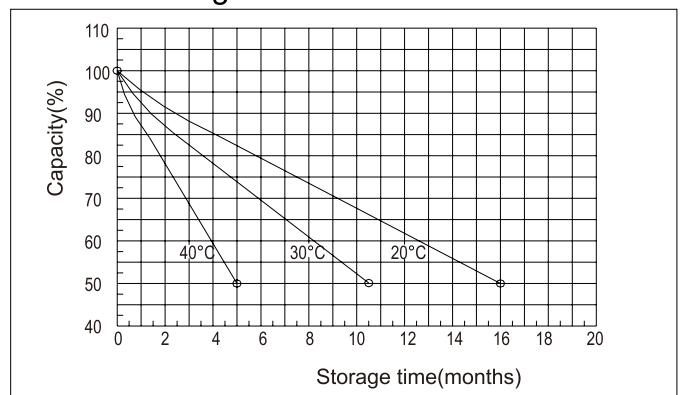
● Charging Characteristics(25°C)



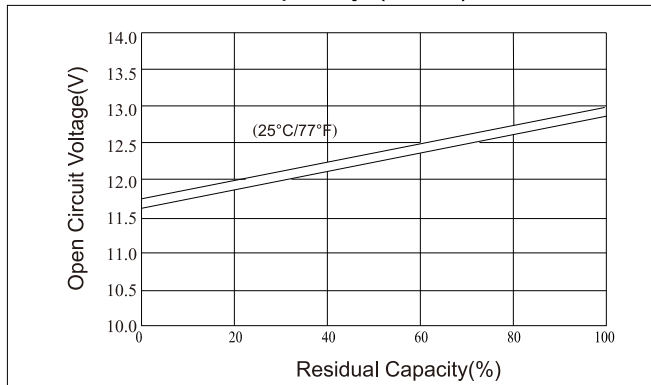
● Effect of Temperature on Capacity



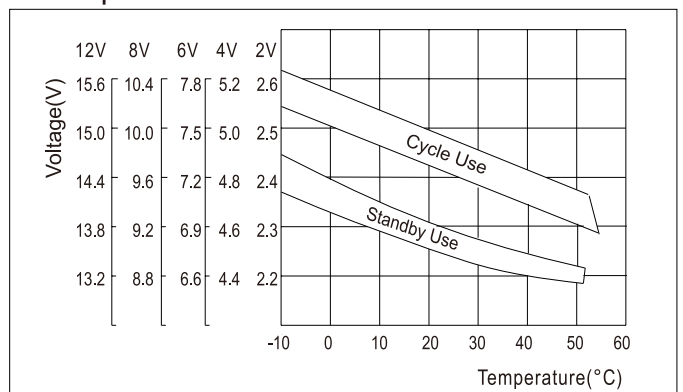
● Self-discharge Characteristics



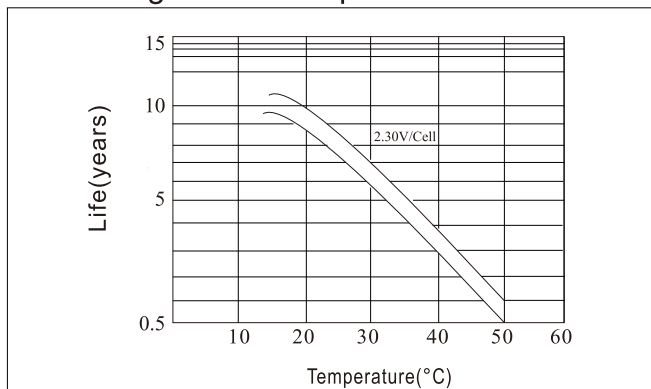
● The Relationship for Open Circuit Voltage and Residual Capacity (25°C)



● The Relationship for Charging Voltage and Temperature



● Floating Life on Temperature



● Cycle Life on D.O.D (25°C)

