



Specifications

Nominal Voltage		12V
Rated Capacity (10 hour rate)		75Ah
Dimensions	Total Height	214±2mm(8.43 inches)
	Height	208±2mm(8.19 inches)
	Length	259±2mm(10.2 inches)
	Width	169±2mm(6.65 inches)
Weight Approx		22.5kg(49.62 lbs)±4%

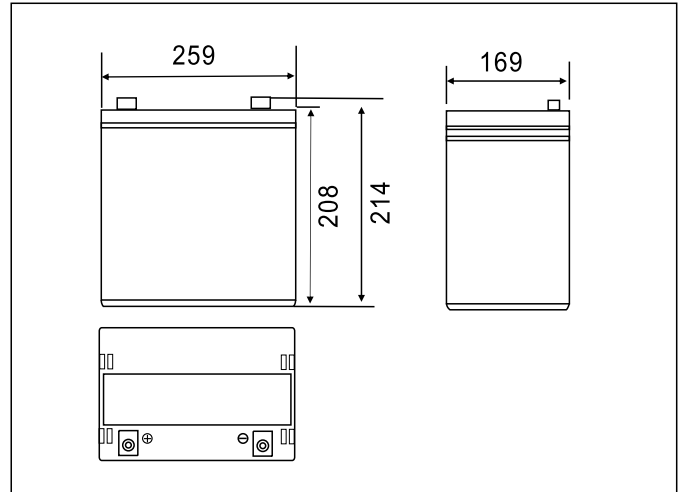
Characteristics

Capacity 25°C(77°F)	10 hour rate(7.5A) 5 hour rate(13.6A) 1hour rate(47.0A)	75 AH 68 AH 47AH
Internal Resistance	Full charged Battery at 25°C(77°F)	5.4mΩ
Capacity affected by Temperature (10hour rate)	40°C(104°F) 25°C(77°F) 0°C(32°F) -15°C(5°F)	102% 100% 85% 65%
Self-Discharge at 25°C(77°F)	Capacity after 3 month storage Capacity after 6 month storage Capacity after 12 month storage	91% 82% 64%
Charge (constant voltage)	Cycle	Initial Charging Current Less than 18.75 A Voltage 14.50-14.90V
	Float	

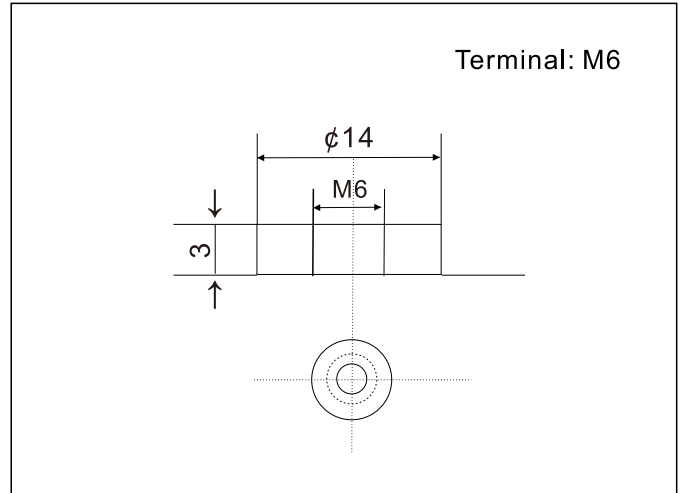
Applications

- Electric tools
- Electric toys
- Emergency lighting
- Electronic instruments
- Medical equipment
- Alarm and security systems
- Solar power systems
- Wind power systems
- Telecommunication equipments
- Uninterruptible power supplies

Outer Dimensions (mm)



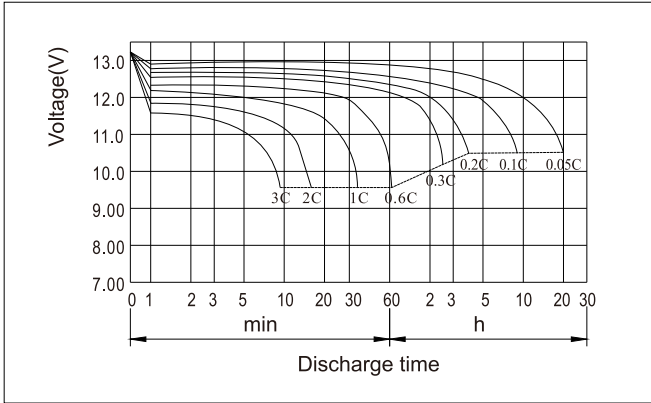
Terminal Type (mm)



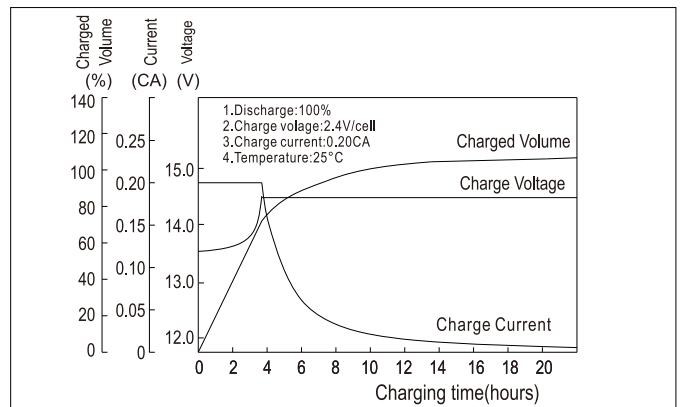
Constant Current(AMP) and Constant Power(Watt) Discharge Table at 25°C(77°F)

Time		10min	15min	30min	1h	2h	3h	4h	5h	8h	10h	20h
9.60V	A	158	124	75.0	47.1	27.6	19.1	15.7	13.6	9.24	7.78	4.08
	w	1701	1359	842	536	319	225	184	161	112	92.2	48.8
9.90V	A	153	121	73.5	46.3	27.4	19.0	15.6	13.5	9.20	7.76	4.07
	w	1650	1326	825	528	317	224	183	160	111	92.0	48.6
10.20V	A	146	116	71.3	45.2	27.2	18.9	15.5	13.4	9.16	7.70	4.06
	w	1582	1277	799	515	315	222	182	159	110	91.7	48.3
10.50V	A	140	112	69.5	44.3	26.8	18.8	15.4	13.3	9.10	7.63	4.03
	w	1514	1234	780	505	310	221	181	158	109	91.2	47.9
10.80V	A	132	106	67.0	42.9	26.1	18.2	14.9	12.9	8.83	7.58	4.00
	w	1429	1169	751	488	303	214	175	153	106	90.7	47.6

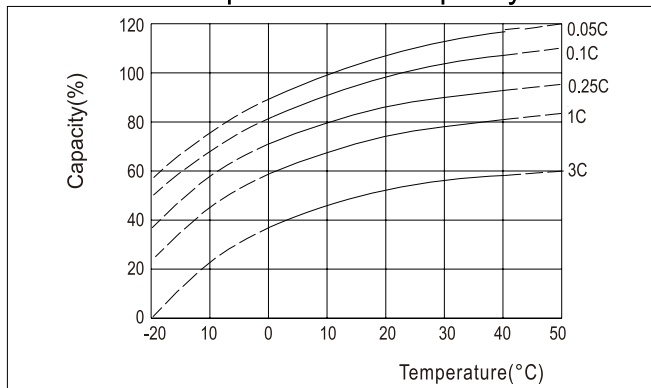
● Discharge Characteristics(25°C)



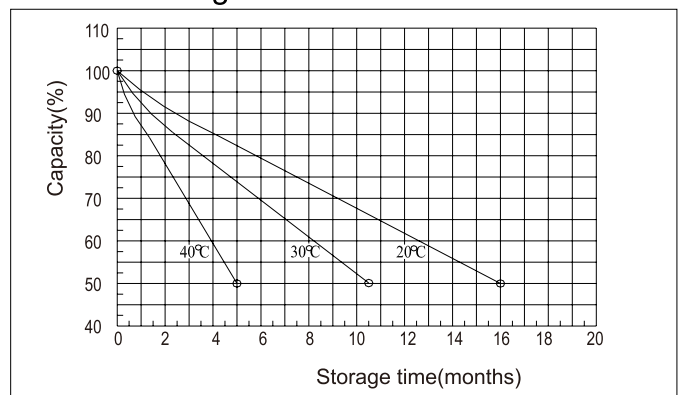
● Charging Characteristics(25°C)



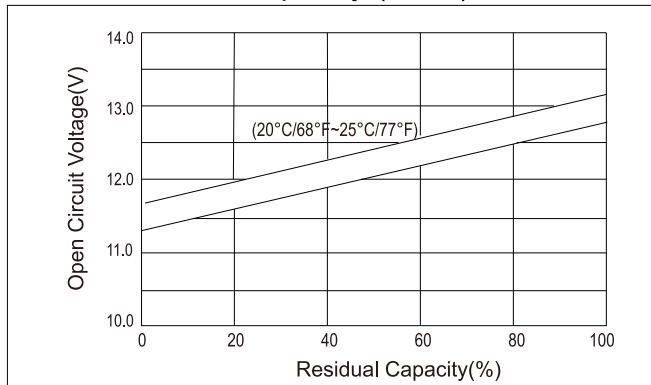
● Effect of Temperature on Capacity



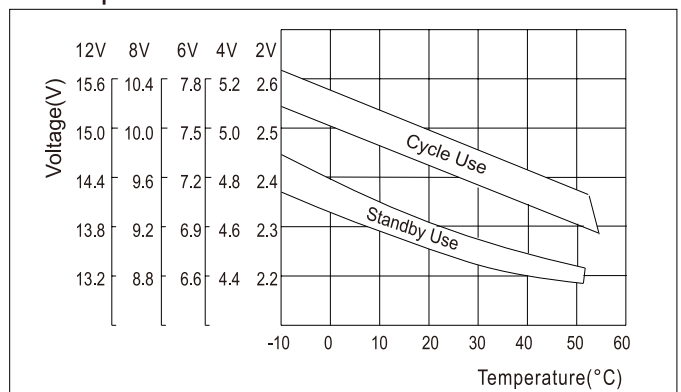
● Self-discharge Characteristics



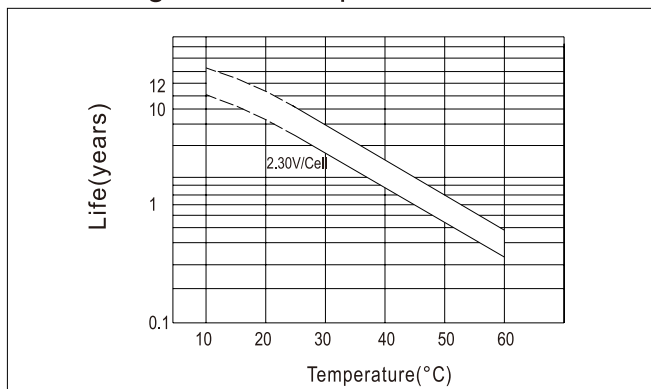
● The Relationship for Open Circuit Voltage and Residual Capacity (25°C)



● The Relationship for Charging Voltage and Temperature



● Floating Life on Temperature



● Cycle Life on D.O.D (25°C)

