



### Specifications

Nominal Voltage		12V
Rated Capacity (20 hour rate)		24Ah
Dimensions	Total Height	125±2mm(4.92 inches)
	Height	125±2mm(4.92 inches)
	Length	166±2mm(6.54 inches)
	Width	175±2mm(6.89 inches)
Weight Approx		7.4kg(16.33 lbs± 4%)

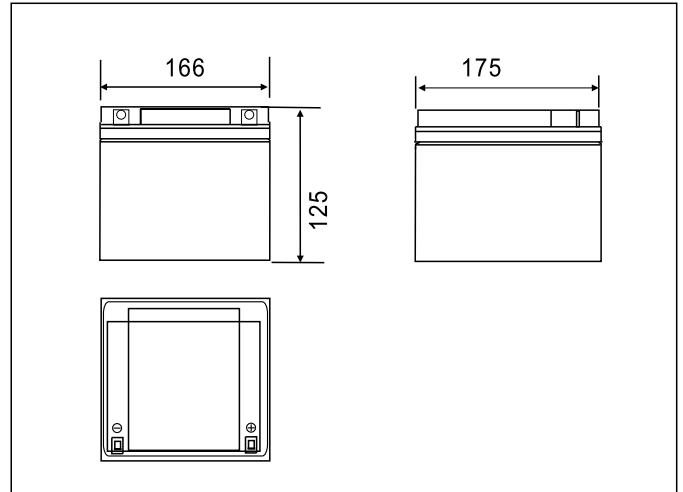
### Characteristics

Capacity 25°C(77°F)	20 hour rate(1.20A)	24.0 AH
	10 hour rate(2.27A)	22.7 AH
	5 hour rate(4.16A)	20.8AH
	1hour rate(15.0A)	15.0 AH
Internal Resistance	Full charged Battery at 25°C(77°F)	14mΩ
Capacity affected by Temperature (20hour rate)	40°C(104°F)	102%
	25°C(77°F)	100%
	0°C(32°F)	85%
	-15°C(5°F)	65%
Self-Discharge at 25°C(77°F)	Capacity after 3 month storage	91%
	Capacity after 6 month storage	82%
	Capacity after 12 month storage	64%
Charge (constant voltage)	Cycle	Initial Charging Current Less than 7.2A Voltage 14.50-14.90V
	Float	Voltage 13.50-13.80V

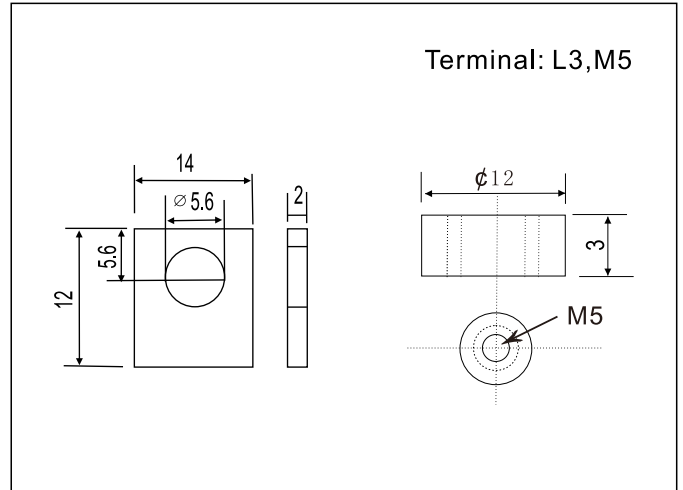
### Applications

- Electric tools
- Alarm and security systems
- Electric toys
- Solar power systems
- Emergency lighting
- Wind power systems
- Electronic instruments
- Telecommunication equipments
- Medical equipment
- Uninterruptible power supplies

### Outer Dimensions (mm)



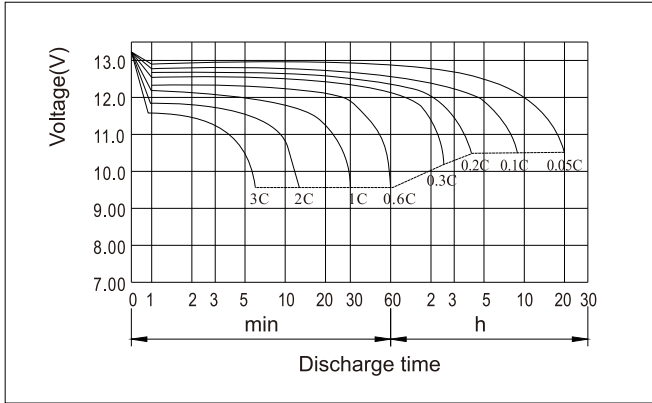
### Terminal Type (mm)



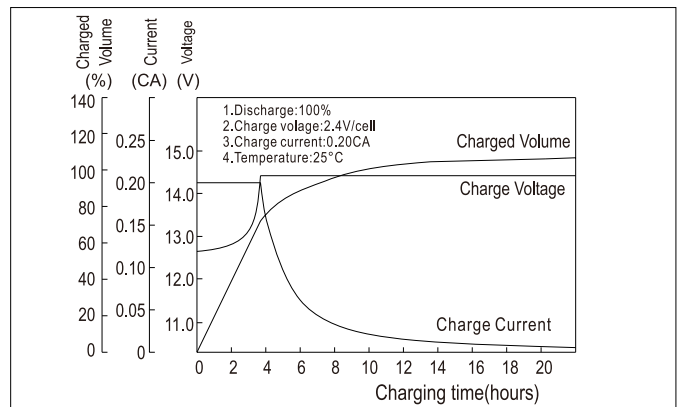
### Constant Current(AMP) and Constant Power(Watt) Characteristics at 25°C(77°F)

F.V/TIME	10min	15min	30min	1h	2h	3h	4h	5h	8h	10h	20h
9.60V	A	62.5	49.2	27.9	17.3	9.94	6.71	5.35	4.56	2.98	1.38
	w	697	565	324	201	111	79.8	64.2	54.6	36.0	16.4
9.90V	A	60.2	48.6	27.2	17.0	9.89	6.64	5.31	4.53	2.96	1.37
	w	678	550	311	198	110	79.3	63.8	54.3	35.8	16.3
10.2V	A	58.8	46.6	26.7	16.6	9.81	6.59	5.29	4.50	2.94	1.37
	w	664	531	300	193	109	78.8	63.4	53.9	35.6	16.2
10.5V	A	55.4	45.4	25.9	16.4	9.72	6.54	5.25	4.47	2.92	1.36
	w	635	505	293	190	108	78.1	62.9	53.6	35.3	16.1
10.8V	A	53.4	43.0	24.5	15.8	9.57	6.35	5.09	4.34	2.85	1.32
	w	599	481	285	185	105	75.9	61.1	52.1	34.3	15.9

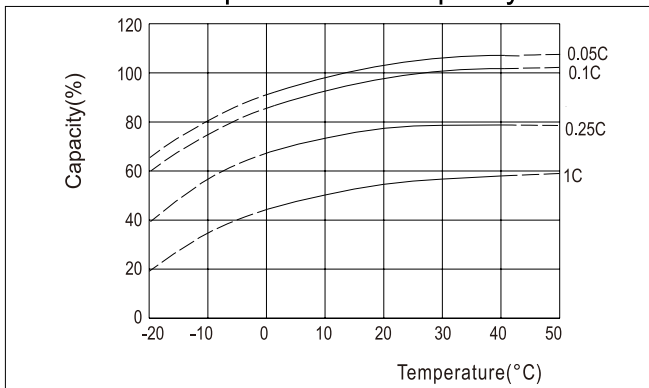
● Discharge Characteristics(25°C)



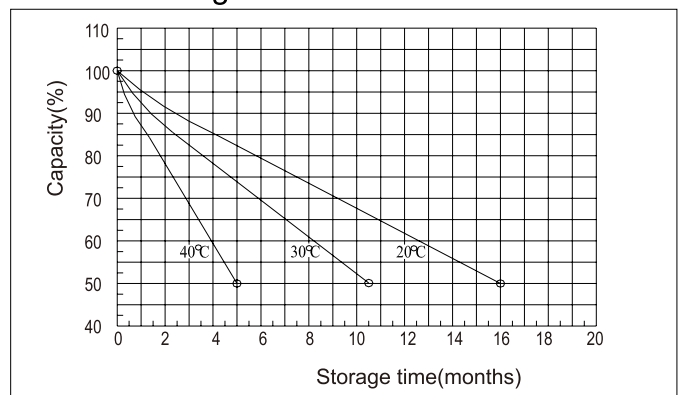
● Charging Characteristics(25°C)



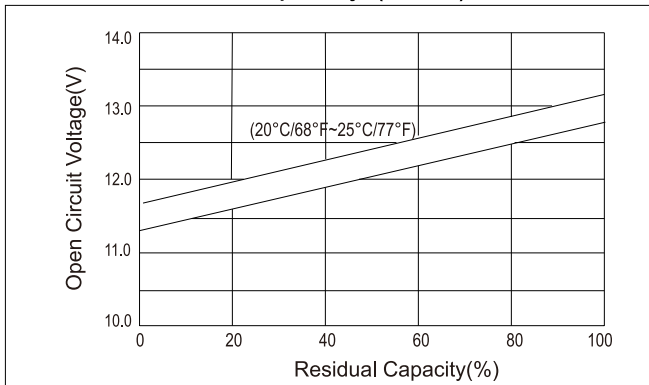
● Effect of Temperature on Capacity



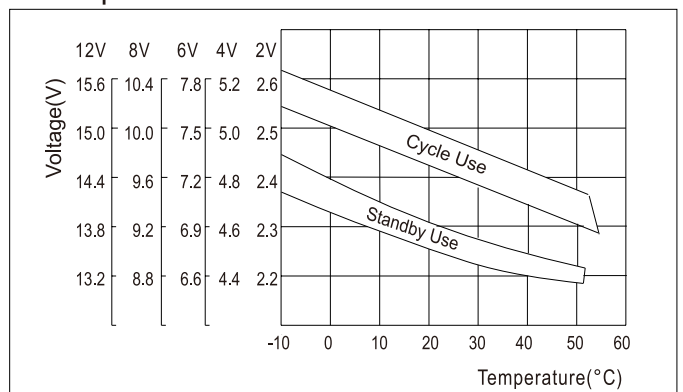
● Self-discharge Characteristics



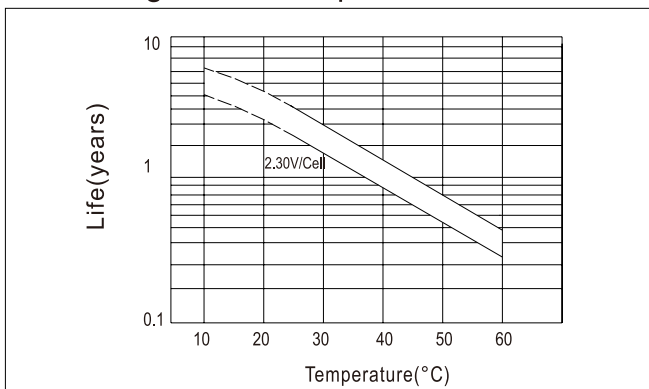
● The Relationship for Open Circuit Voltage and Residual Capacity (25°C)



● The Relationship for Charging Voltage and Temperature



● Floating Life on Temperature



● Cycle Life on D.O.D (25°C)

